



Model PL77 Condenser Cardioid Vocal Microphone

SPECIFICATIONS

Generating Element:

Electret condenser

Frequency Response:

50-18,000 Hz

Polar Pattern:

Cardioid

Impedance:

Lo-Z, 150 ohms balanced

Output Level:

-54 dB

(0 dB = 1 mW/10 dynes/cm²)

Pop Filter:

Built-in Acoustifoam™

Grille Screen Material:

Memraflex (tempered spring steel)

Equivalent Noise Level:

Less than 26 dB

(0 dB = 0002 dynes/cm²)

A weighted

Switch:

On/Off (battery only)

Power Supply:

4.5 Volt Battery

(Not included)

or 24 to 48 Volt phantom supply

Current Drain:

3.5 mA

Case Material:

Diecast zinc & aluminum

Finish:

Non-reflecting gray

Dimensions:

190.5 mm (7.50") long

50 mm (1.97") maximum diameter

Weight:

343 grams (12 oz)

Accessories Included:

301 stand clamp

Zippered vinyl carrying case

Optional Accessories:

351 windscreen

380 attenuator

541 cable

542 cable

543 cable

544 cable

DESCRIPTION AND APPLICATIONS

The Electro-Voice Model PL77 exhibits the same high performance characteristics as the successful PL76, however, in addition to exceptional performance the PL77 also offers the option of internal battery or external phantom powering. Any external D.C. power source within the range of 24 volts to 48 volts will successfully power the PL77. Also, the on/off switch (for battery operation only) is recessed so it cannot be accidentally turned off at a crucial moment during a performance.

Feedback in live entertainment situations is caused by sound being reflected off walls, speaker systems, amps, mixers, etc. back into the microphone. Microphones and speaker systems that exhibit peaked frequency response curves tend to trigger a feedback situation. Feedback problems can be minimized by using microphone and speaker systems that exhibit an overall smooth, peak free frequency response. The **pro-line** family of Electro-Voice microphones have an overall smoothness of frequency response that helps significantly to control feedback problems.

Feedback problems can be further minimized by using close miking techniques on all microphones used

whether they be instrument microphones or vocal microphones. Close miking techniques help reduce feedback because the microphone's signal to the amplifier is at a maximum in this condition and the amplifier's gain setting can be reduced appreciably. This yields a significant reduction of background and reflected sound to the microphone as compared to the entertainer's voice giving more system sound output before feedback.

WARRANTY (Limited) — All Electro-Voice PL Microphones are guaranteed for one year from date of original purchase against defects in workmanship and materials. If such malfunction occurs, microphone will be repaired or replaced (at our option) without charge for materials or labor if delivered prepaid to the proper Electro-Voice service facility. Unit will be returned prepaid. Warranty does not cover finish or malfunction due to abuse or operation at other than specified conditions. Repair by other than Electro-Voice or its authorized service agencies will void this guarantee.

For repair information and service locations, please write: Service Department, Electro-Voice, Inc., 600 Cecil Street, Buchanan, Michigan 49107 (Phone 616/695-6831) or 7473 Avenue 304, Visalia, CA 93277 (209/625-1330,-1).

Electro-Voice also maintains complete facilities for non-warranty service of E-V products.

Specifications subject to change without notice.

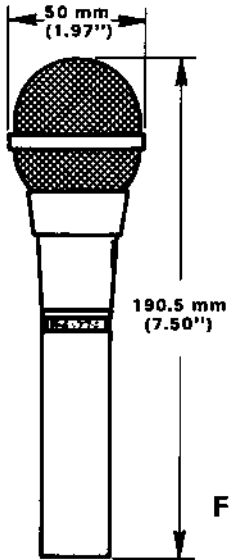


FIGURE 1 – Dimensions

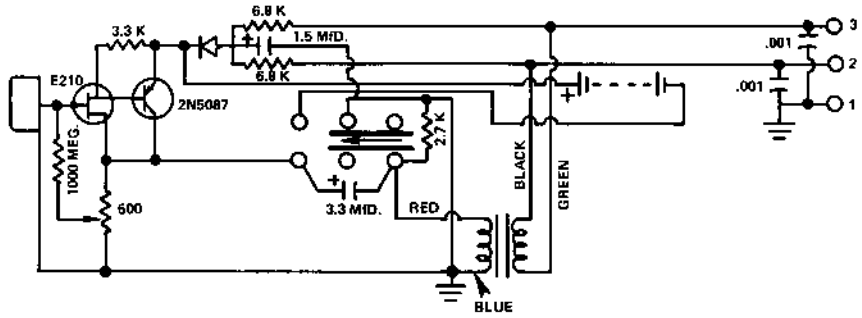


FIGURE 2 – Wiring Diagram

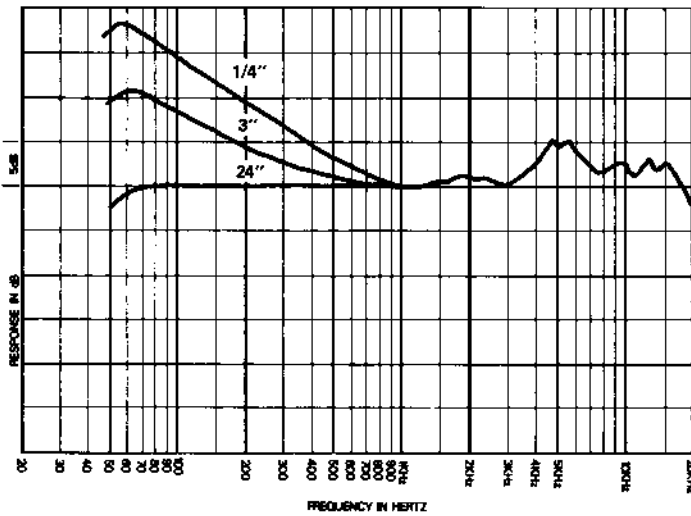


FIGURE 3 – Frequency Response

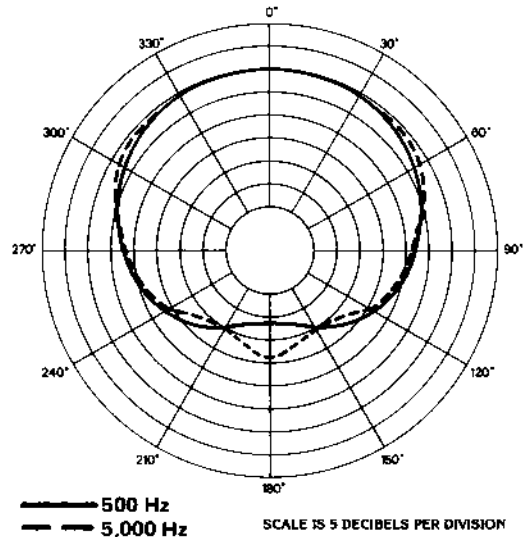


FIGURE 4 – Polar Response

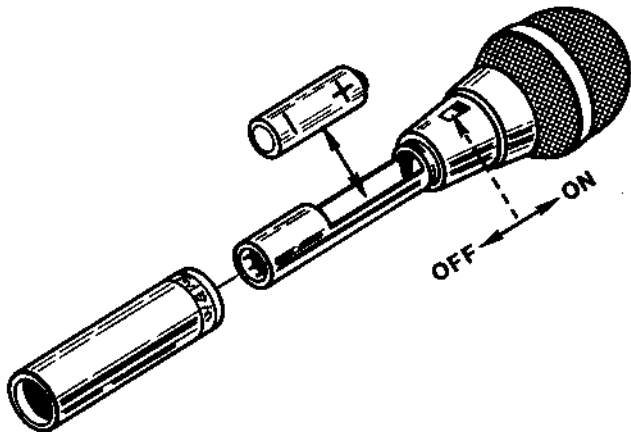


FIGURE 5 – Battery Replacement

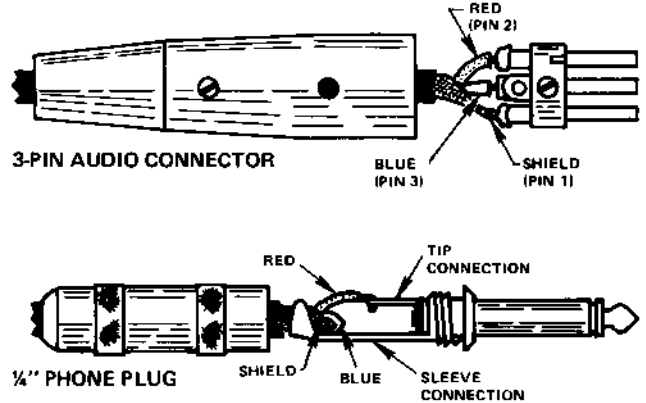


FIGURE 6 – 3-Pin Connector & 1/4" Phone Plug Wiring Connections